



# BRISA

## Retractable Screen Door Sliding Door Installation Instructions



### **CALL US FIRST** **Do not return to the store.**

For assistance with your installation, or for additional product information, contact our Customer Care Team at 888-483-3768 or visit [www.LARSONdoors.com](http://www.LARSONdoors.com).



# A fresh approach to fresh air

Thank you for purchasing a Brisa Retractable Screen Door from LARSON®. Make sure the retractable screen door you purchased is the correct size to fit your door. This retractable screen door fits a 6'8" tall sliding glass door.

## CONTACT US FIRST

**Do not return to the store.** For assistance with your installation, or for additional product information, contact our Customer Care Team at [www.LARSONdoors.com](http://www.LARSONdoors.com).

### Important

Be sure to first read through and then follow completely all step-by-step instructions. This will help to insure proper installation and functionality. Expect installation to take less than 30 minutes.

### Attention

Retractable screen doors are not intended to provide security or provide for the retention of objects, animals, or persons within the interior.

## TOOLS



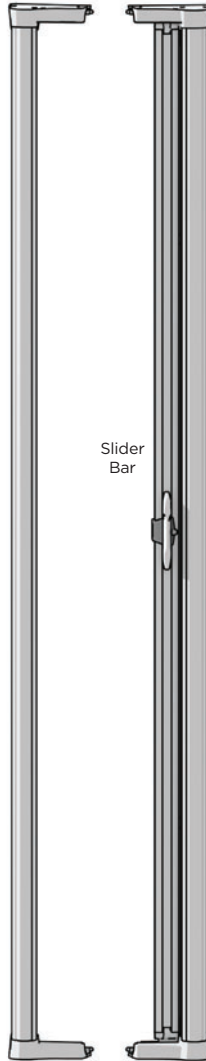
Power Drill/Screwdriver and No. 2 Phillips Head Driver Bit



## OPTIONAL TOOL

A hack saw is required if your door width is less than 32" wide.

## PARTS



Decorative Housing

Screen Housing

Slider Bar



(2) Housing End Cap Attachment Brackets



(2) 4" Bracket Screws



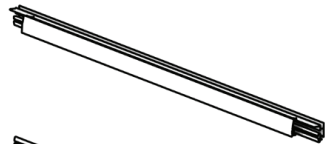
(3) 1-1/4" Housing Screws



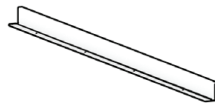
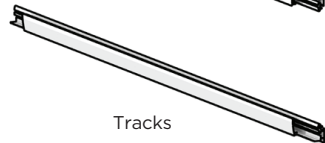
(2) Sets of 3 Spacers



(5) 1-1/4" Attachment Bracket Screws



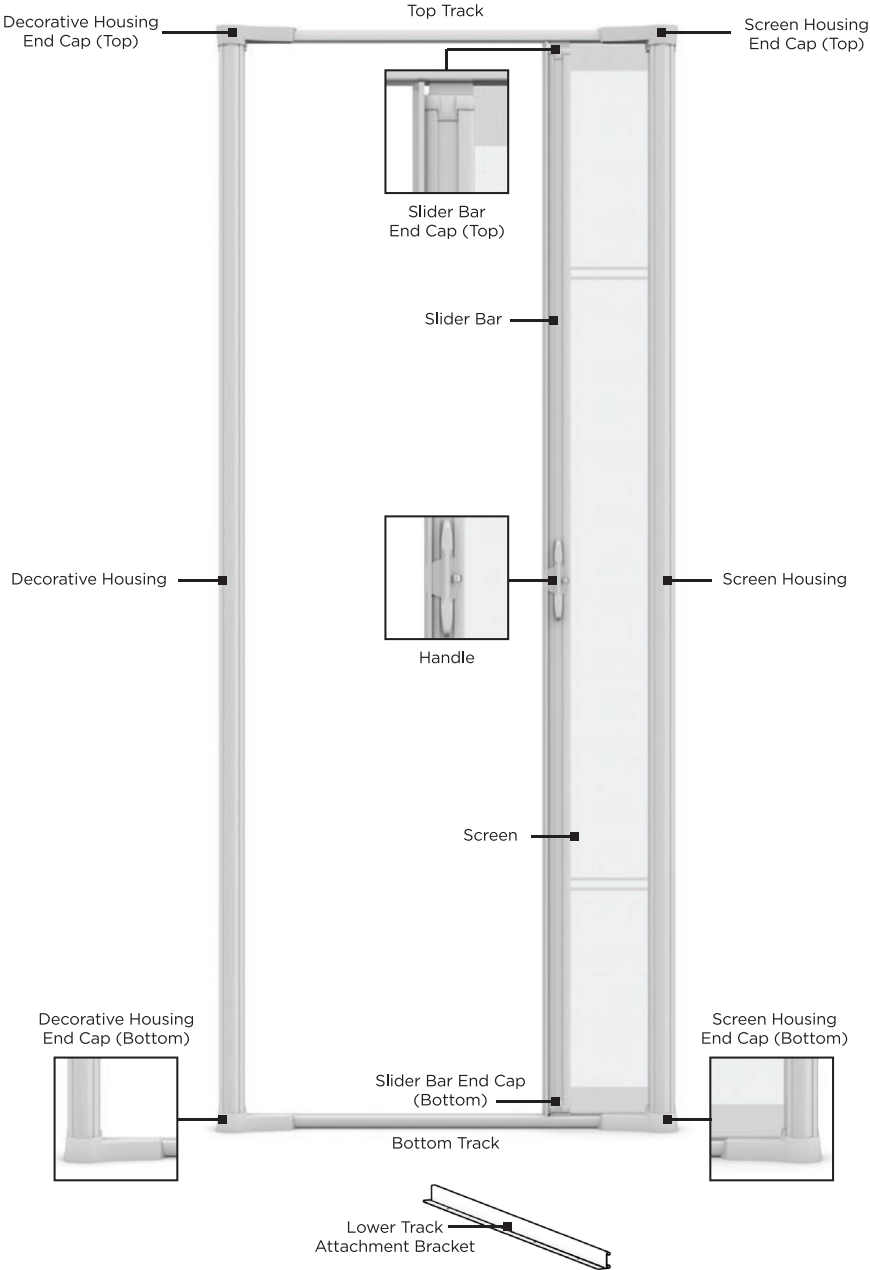
Tracks



Lower Track Attachment Bracket

# Product terminology

Use the following illustration and terminology to become familiar with your Brisa Retractable Screen Door parts and location. This will be helpful for following installation instructions.

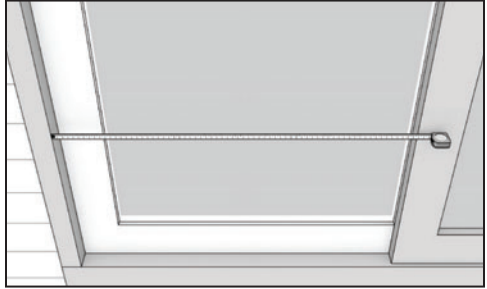


# Assembly process

These instructions outline the step-by-step process to install a retractable screen door. Before starting, review all instructions and become familiar with the parts included. If you have a door screen on the interior side of the sliding door you will need to reconfigure the lock/latch. Go to page 9 to complete this modification.

## MEASURE YOUR DOOR OPENING

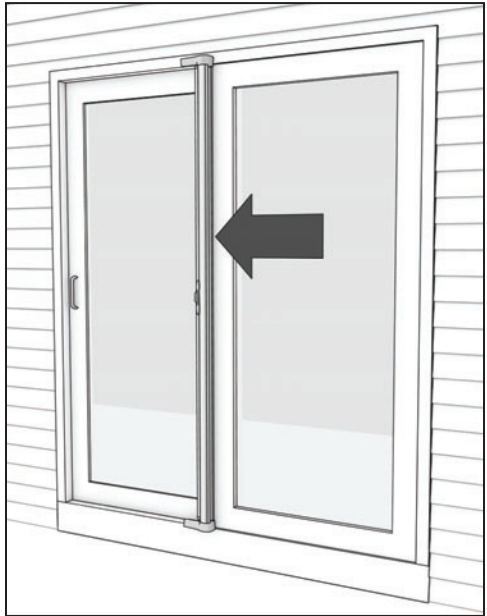
This screen door is designed to fit slider door openings between 32" and 36" without modifications. Measure from your door trim to the center of the stationary door frame. If your slider door opening measures less than 32" wide, the top and bottom tracks will require cutting. Go to page 9 to complete this modification first.



## STEP 1 ASSEMBLE COMPONENTS

Determine assembly configuration. The screen housing should be oriented in the center of sliding glass door over the fixed panel.

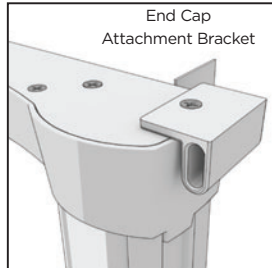
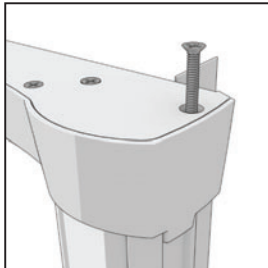
**TIP:** Place housings face down on a soft surface to protect the finish during assembly.

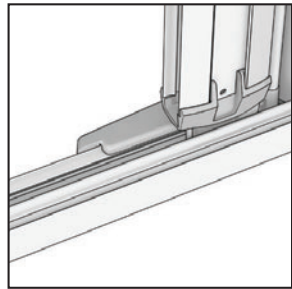
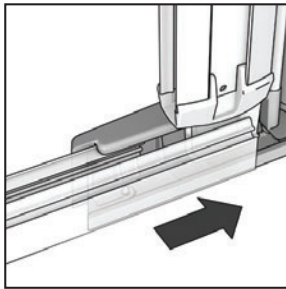
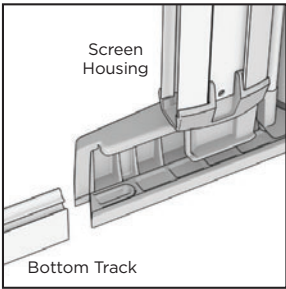


Remove the screw from screen housing top end cap.

Place end cap attachment bracket onto end cap and screw into place.

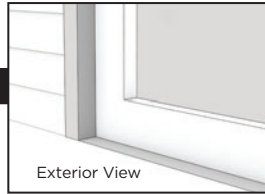
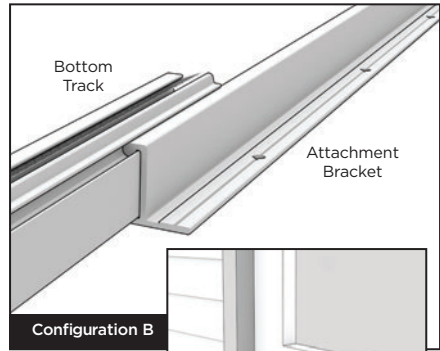
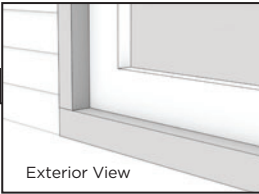
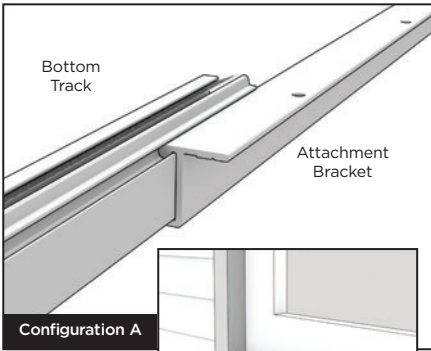
Repeat this step for the bottom end cap.





Insert one end of each track into the screen housing. Make sure the screen threads through the tracks.

Slide attachment bracket onto bottom track. This will be used later to attach the track to the sill.



Use this attachment bracket configuration when there is a flat edge in front of the sill.

The attachment bracket can also be turned over as an option for door sills that are flush to the ground level and do not have a flat edge in front for attachment.

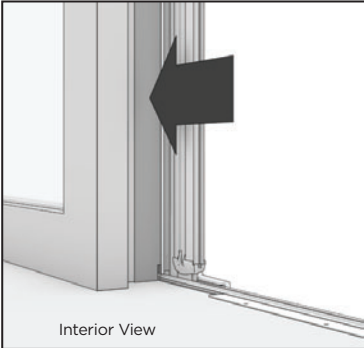


Insert the flat ends of the top and bottom tracks into the decorative housing.

## STEP 2 INSERT SCREEN

Place screen assembly onto door sill and lift into place.

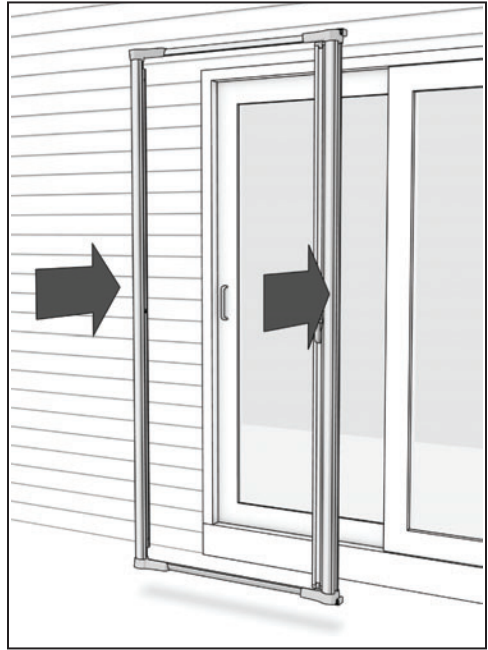
Do not deploy screen until it is assembled to doorway.

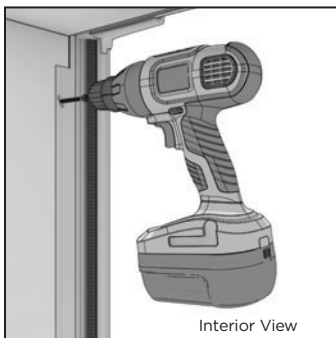


Ensure flexible gasket on back of the screen housing seals along the middle of the fixed panel of the door.

Extend the decorative housing to the left or right (depending on the orientation) evenly until snug to the door trim.

When installing the screen assembly make sure the housing flange is snug to the end/edge of the door jamb.

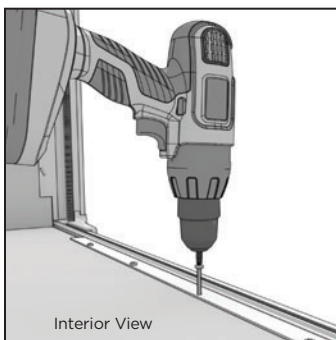




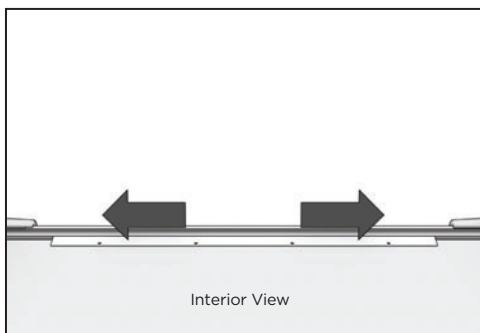
Interior View

### STEP 3 SECURE SCREEN

Insert a housing screw into the pre-drilled screw hole at the top of decorative housing flange on the latch side of the slider door to hold frame in place. **Do not tighten completely.**



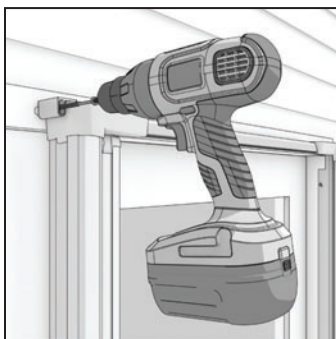
Interior View



Interior View

Center attachment bracket on lower track.

Drive self-drilling 1-1/4" attachment bracket screws through the bracket and sill.



Drive a 4" bracket screw through the top end cap attachment bracket and spacers provided, securing the top of the screen housing to top door frame or brick mold.

**TIP:** The screen housing must be installed on the same plane as the exterior trim. Spacers can be installed behind the housing end cap attachment brackets for support. **See the Spacer Sizing chart for details.**

#### Spacer Sizing

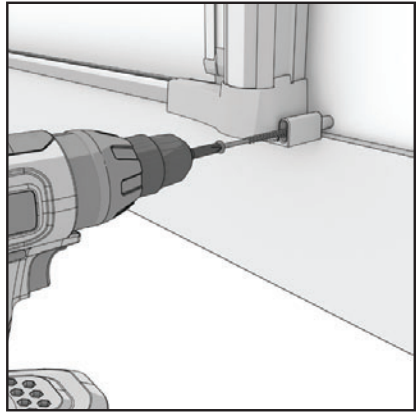
$$\left(\frac{.625}{0}\right) + \left(\frac{.375}{0}\right) + \left(\frac{.25}{0}\right) = 1-1/4"$$

$$\left(\frac{.625}{0}\right) + \left(\frac{.375}{0}\right) = 1"$$

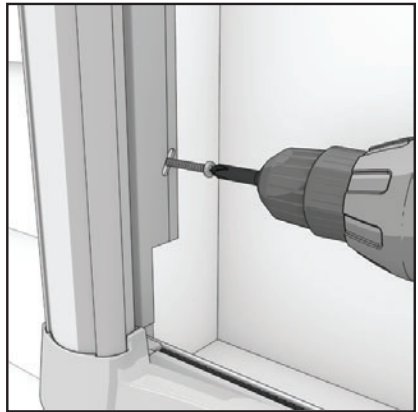
$$\left(\frac{.625}{0}\right) + \left(\frac{.25}{0}\right) = 7/8"$$

$$\left(\frac{.375}{0}\right) + \left(\frac{.25}{0}\right) = 5/8"$$

Drive a 4" bracket screw through the bottom end cap attachment bracket and the spacers to secure the bottom of the screen housing to the doorframe or brick mold.



Insert second housing screw into decorative housing flange. Tighten all screws to hold frame in place.



Pull the slider bar closed to verify the latch and latch hook align properly. Latch hook can be adjusted as needed with a hand screwdriver.

**TIP:** Latch hook can be oriented either hook up or down to connect with latch.

**TIP:** Small gaps in between tracks or end caps and the existing brick mold can be caulked.





# Product modification

Minor modifications may be necessary to tailor the retractable screen to your application. Door trim openings that measure less than 32" will require track cutting to fit the door width. Interior screen installations require a change to the handle/lock assembly to move the lock mechanism to the inside of the home.



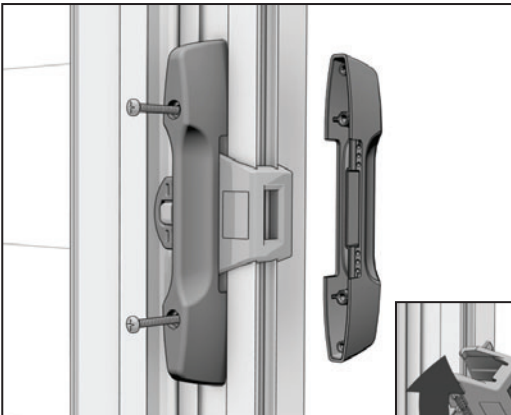
After completing the modifications, please return to the standard assembly process on page 4.

## NARROW DOOR TRACK MODIFICATION

Measure your door trim opening and follow the example below to make your modifications. Cut the ends of the tracks that will be inserted into the decorative housing.

### EXAMPLE

$$\begin{array}{r} 32'' \text{ standard door width} \\ - 30'' \text{ existing door width} \\ \hline = 2'' \text{ total amount to be cut from} \\ \text{the FLAT ends of the top and} \\ \text{bottom tracks} \end{array}$$

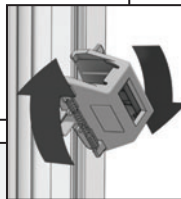


## INTERIOR SCREEN HANDLE MODIFICATION

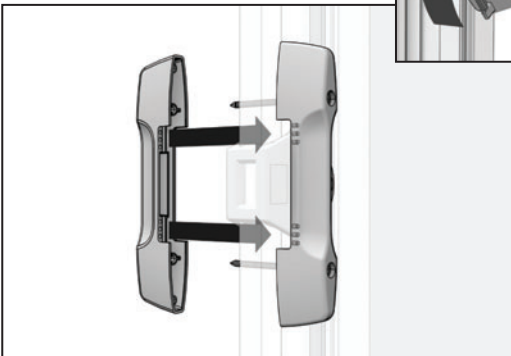
Once the unit is installed, follow these steps to move the lock mechanism to the inside of the home.

Engage the lock and remove the (2) screws from the handle.

Remove both handles (the grey latch will be loose).



Remove the latch from the slider bar and reverse it so the logo faces inside the home. Then press the latch over the slider bar.



Place the handle with the lock on the logo side of the latch.

Align and insert the screws through the screw holes. Position the remaining handle over the screws and align the (6) small dimples with corresponding indentations on the other handle.

Tighten the (2) screws.

# Frequently Asked Questions

## **Is maintenance required on my Brisa Retractable Screen Door?**

Dirt and debris should be vacuumed out of the tracks periodically. Do not use oily lubricants (like WD40) on the track as these tend to attract dirt, which can hinder the operation. If needed, occasional use of a silicone-based lubricant is acceptable.

## **Can Brisa Retractable Screen Doors be installed on stucco homes without a wood door frame?**

No, Brisa is a face-mount installation that requires a door frame/brick mold for proper attachment.

## **What if my retractable screen door retracts slowly or doesn't deploy at all?**

There could be various reasons for slow retraction or no deployment of the screen. Be sure to clean dirt and debris out of the track. Look for nicks or bends in the track itself. Examine the weather stripping (the black pile material in the track) for displacements or rips that prevent the screen from operating smoothly. Check to make sure the bottom end of the slider bar is fully seated in the track. Also confirm the unit has been installed square to the door frame. If you still are experiencing difficulty, contact our Customer Care Team or visit [www.LARSONdoors.com](http://www.LARSONdoors.com) for assistance or replacement parts.

## **Someone walked through my screen and now it does not function properly. What should I do?**

If the screen is frayed, has holes, or the fabric is creased, please contact our Customer Care Team at [www.LARSONdoors.com](http://www.LARSONdoors.com) to learn more about how to order a replacement screen. If the track is bent, it can be replaced as well.

## **Can I purchase a replacement screen or other parts?**

Yes, visit [www.LARSONdoors.com](http://www.LARSONdoors.com).

---

## **Limited Lifetime Warranty**

Your purchase of an LARSON Brisa Retractable Screen Door includes a Limited Lifetime Warranty. Visit [www.LARSONdoors.com/Register](http://www.LARSONdoors.com/Register) to register your product. Damage to screen such as tears are not covered under the warranty. Labor cost, reinstallation fees are not covered under warranty.

## **Garantía limitada de por vida**

Su compra de una puerta de malla retráctil Brisa de LARSON tiene garantía limitada de por vida. Visite [www.LARSONdoors.com/Register](http://www.LARSONdoors.com/Register) para registrar su product. Los daños a la pantalla, como roturas, no están cubiertos por la garantía. El costo de mano de obra, las tarifas de reinstalación no están cubiertas por la garantía.

## **Garantie à vie limitée**

L'achat de votre porte-moustiquaire rétractable LARSON comprend une garantie à vie limitée. Visitez le [www.LARSONdoors.com/Register](http://www.LARSONdoors.com/Register) pour enregistrer votre produit. Les dommages causés à l'écran, tels que les déchirures, ne sont pas couverts par la garantie. Le coût de la main d'œuvre, les frais de réinstallation ne sont pas couverts par la garantie.