



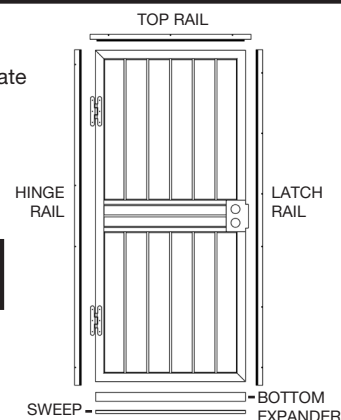
# 920 Series Security Door Installation Instructions

## TOOLS REQUIRED

Hacksaw  
Hammer & Chisel  
Drill with Phillips Bit  
1/8" Drill Bit  
1/2" or smaller Spade Bit  
Tape Measure  
Pliers  
Utility Knife  
Safety Glasses

## PARTS LIST

1-Closer Kit with Storm Chain, Screw Pack, and Strike Plate  
1-Hinge Rail (Attached to Door)  
1-Latch Rail  
1-Top Rail  
1-Bottom Expander  
1-Rubber Sweep



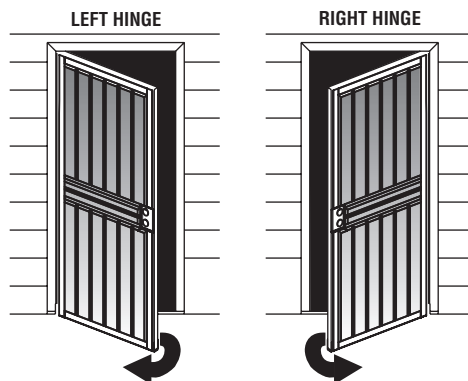
## BEFORE YOU START

- Two people required.
- Verify opening size shown on the box matches the opening size of your doorway.
- Make sure house door trim is securely fastened to your house and square.

## 1 Confirm Hinge Side of Door

The hinge rail is installed on the left or right as viewed from the outside depending on how the security door was ordered. Confirm that hinging will work with your entryway.

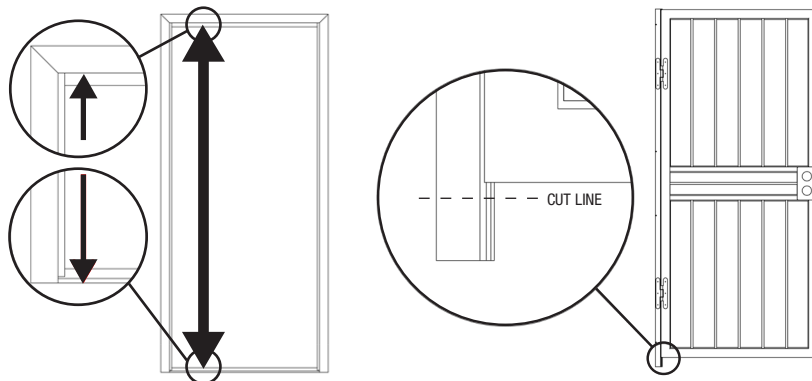
**NOTE:** The following steps depict a left hinge installation.



## 2 Measure and Cut Hinge Rail

Carefully measure the height of the door opening from the header to the threshold on the hinge side of the frame. Record that measurement and subtract 3/16" to determine the cut length.

Cut the **bottom** of the hinge rail to the cut length using a hacksaw. You may make the cut at an angle to match the slope of your threshold.



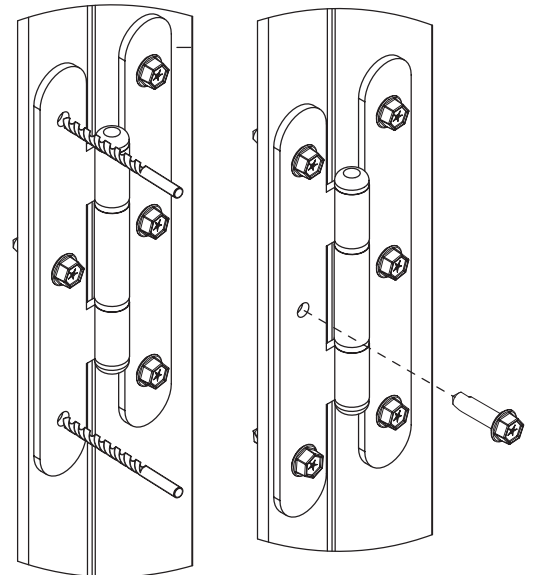
Record Door Opening	_____
minus -	3/16"
Cut Length =	_____

### 3 Place Door In Opening

Place the door in the opening with the hinge rail resting on the threshold. Push the hinge rail tightly against the brickmold. Check to make sure your door is square in the opening. Shims may be used behind the hinge rail if needed.

Pre-drill a 1/8" pilot hole through the top and bottom hole in each hinge. Fasten the door to the brickmold using all of the pre-drilled holes with the #10x2" screws provided.

Remove and discard the center screw from each hinge. Pre-drill a 1/8" pilot hole through the center holes. Fasten with #10x2" screws.



Door



#10x2" SCREW  
ACTUAL SIZE

### 4 Install Handles (Sold Separately)

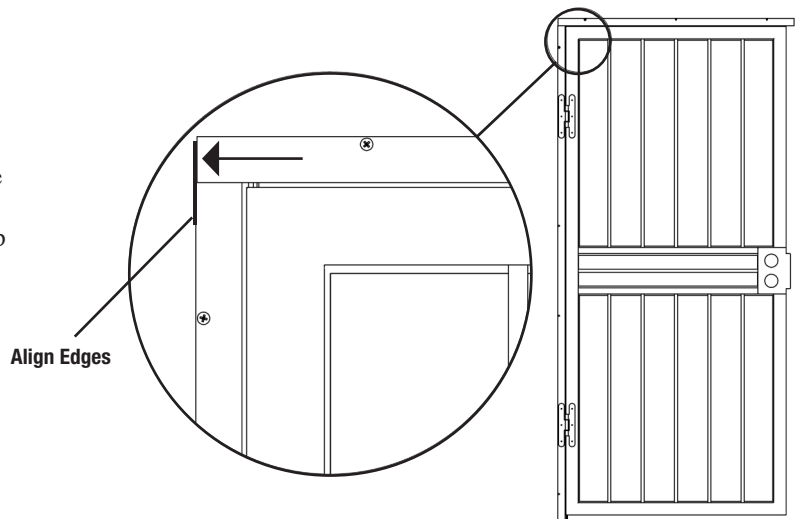
Install the handle and deadbolt following the handle manufacturer's instructions.

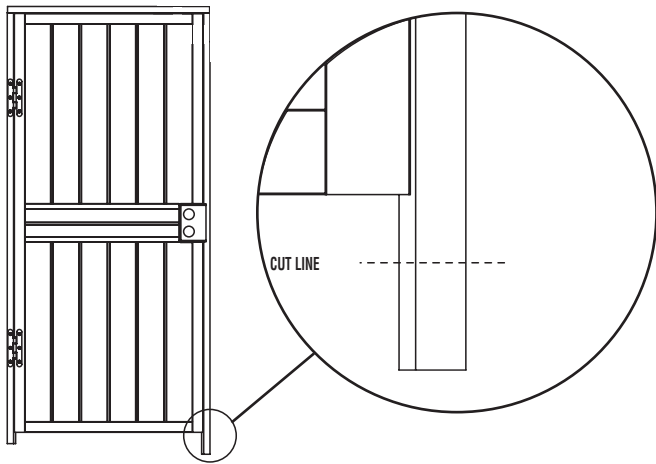
### 5 Install Top Rail

Position the top rail above the door and close the door. Align the end of the top rail with the edge of the hinge rail. Install a #8x1" screw through the hole closest to the hinges. Adjust the top rail to create an even reveal between the door and the top rail. Install a #8x1" screw through the remaining pre-drilled holes.



#8x1" PAN HEAD SCREW  
ACTUAL SIZE

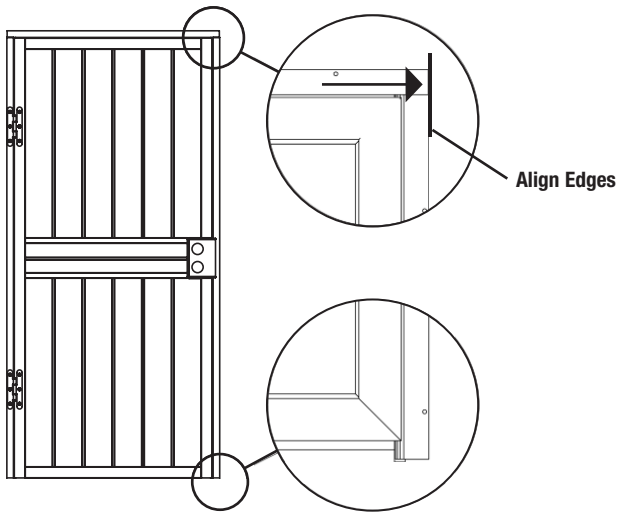




## 6 Measure and Cut Latch Rail

Carefully measure the height of the opening from the underside of the top rail to the threshold on the latch side of the frame. Subtract  $\frac{3}{16}$ " from that measurement and cut the latch rail at the bottom to that length using a hacksaw. You may make the cut at an angle to match the slope of your threshold.

Record Door Opening	_____
minus -	$\frac{3}{16}$ "
Cut Length =	_____



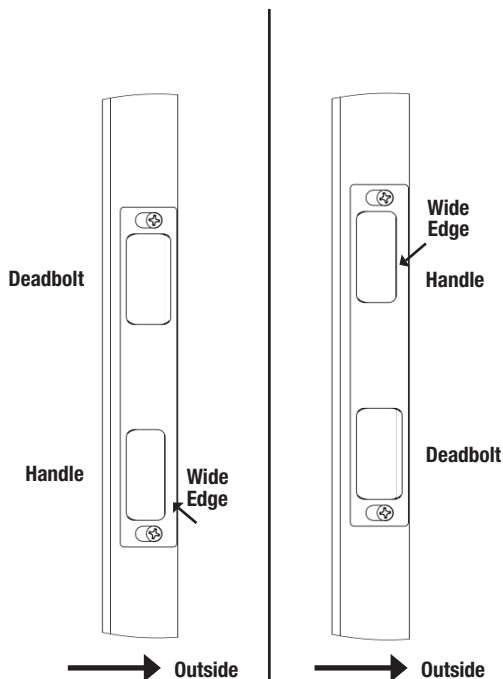
## 7 Install the Latch Rail

With the door closed, operate the handle and deadbolt to determine if the latch and deadbolt can be extended fully. If necessary, use the extended deadbolt as a guide and use a spade bit or chisel to create the necessary depth for your latch or deadbolt to operate.

Place the latch rail on the door frame and close the door. Align the outside edge of the latch rail with the end of the top rail. Install the latch rail with four #8x1" Phillips pan head screws.



#8X1" PAN HEAD SCREW  
ACTUAL SIZE



## 8 Install the Strike Plate

Locate the strike plate in the closer kit and install as shown using the two #8x3/4" flat head screws. Ensure that the **wide edge** is toward the outside of the hole the handle latch will use. Adjust the strike plate as needed.

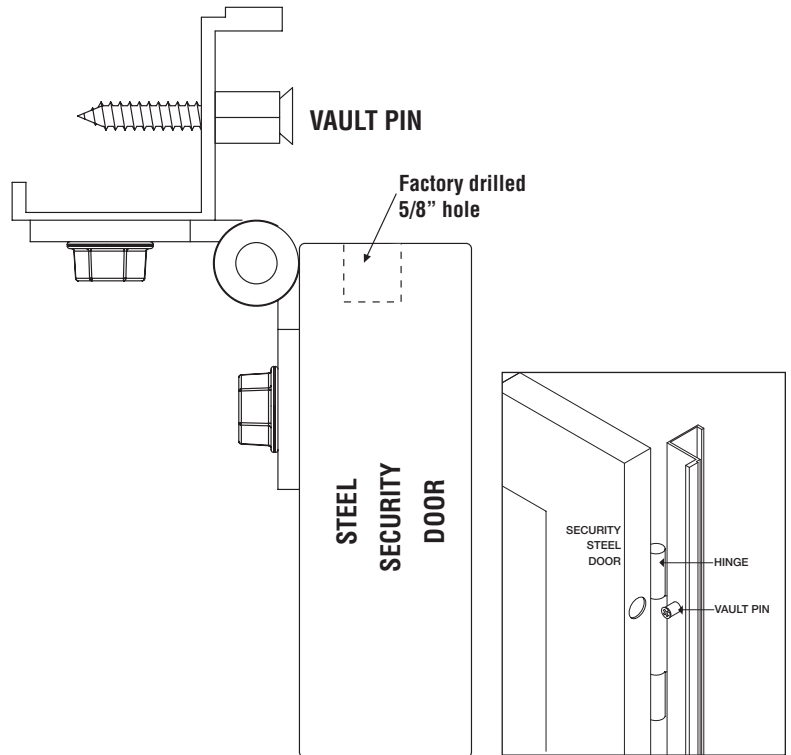
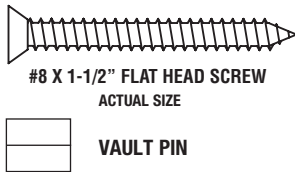


#8X3/4" FLAT HEAD SCREW  
ACTUAL SIZE

## 9 Install Vault Pins

Locate the two pre-drilled holes on the hinge side of the door. In the center of the hinge rail, make two marks that line up with those holes. Drill a 1/8" pilot hole through the hinge rail approximately 3/4" deep ensuring that the holes are aligned with the center of the pre-drilled holes in the door.

Locate the vault pins in the closer kit and screw them into the hinge rail.

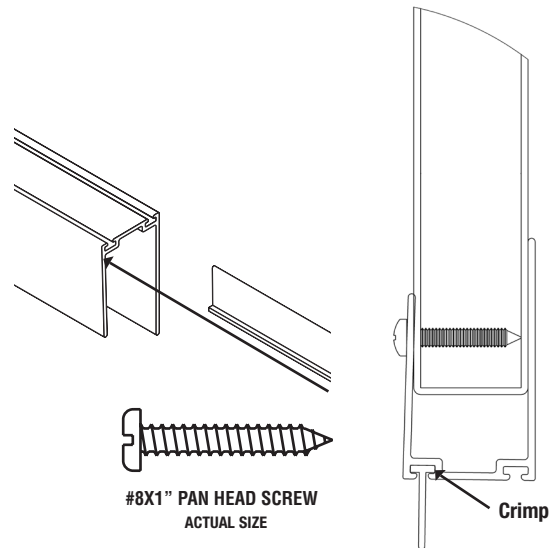


## 10 Install Bottom Expander

Slide the rubber sweep into the track of the bottom expander that offers the best contact with the threshold. With a pliers, crimp the track on both sides to hold the sweep in place and cut the sweep to length.

Place the expander on the door and adjust it until the rubber sweep lightly touches the threshold. Drill a 1/8" pilot hole through the expander and into the door approximately 6" from each end of the expander. Fasten the expander with two #8x1" Phillips pan head screws.

**NOTE:** Some installations may require removing and reinstalling the bottom glass clips through the expander.



## 11 Closer and Storm Chain Installation

The closer must be installed in the center of the door on the mullion between the glass sashes. See instructions in the closer kit for bracket installation.

The storm chain is to be installed at the top of the door. Instructions are provided.

